

## JMKV20-BB12A1 隔膜阀 Diaphragm Valve

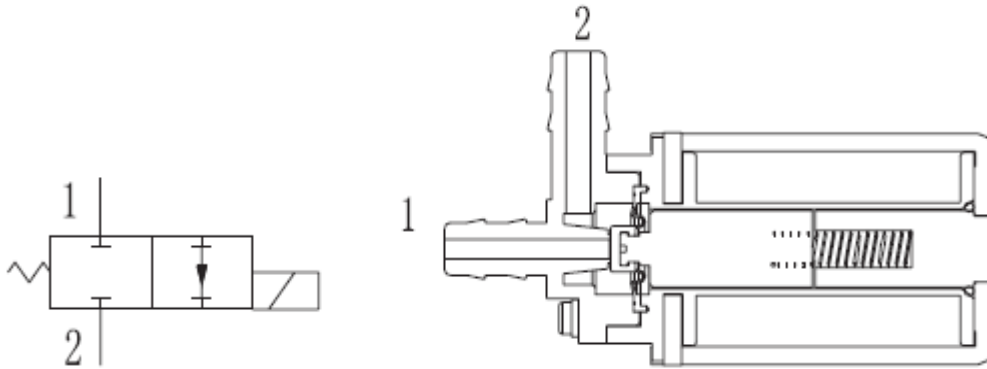


### 一、产品应用 Product Applications:

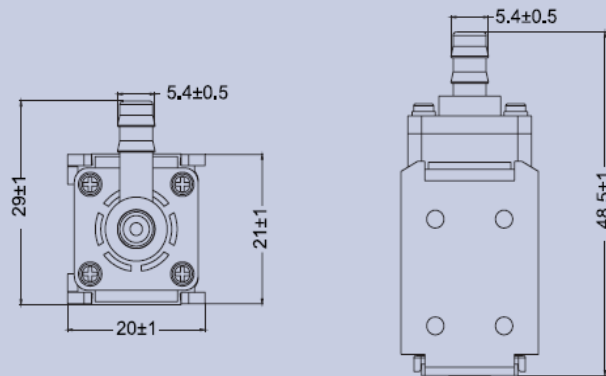
主要JMKV20-BB2A1系列适用于家用电器、汽车产品、分枝循环处理、厨房卫浴、美容美体等。

Mainly used in electronic sphygmomanometer, massag pressure monitor, eye nanny, fish tank, coffee machine inflatable products.

### 二、产品尺寸 Product Dimension:



產品構造圖  
Dimension Drawing



### 三、产品规格 Product Specification:

额定电压 Rated Voltage	DC 12V
最低额定电压 Rated Voltage	DC 10V
负载流量	>11L/min
气密性 Leakage	≤1 CC/min
直流抗阻	114 Ω
最低启动电压 Reartart voltage	DC 10V

工作模式	常闭
介质	清水、水蒸气
使用寿命 Rated Life	$\geq 1200000$ cycles

Web: [www.jmakerpump.com](http://www.jmakerpump.com)

Add: Unit 306, NO.5 Building CATIC Industrial Zone, NO.1 Huli Ave, Xiame

---

斤检测、水

er, blood  
and other

n China

---